



LK830ST

BenQ DLP Projector

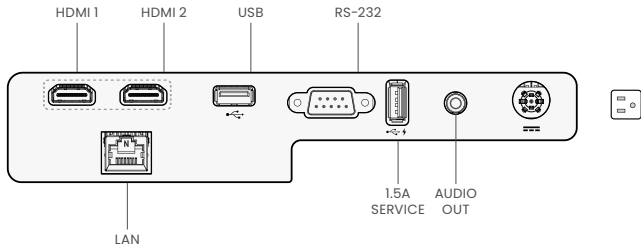
- 4000 ANSI Lumen Laser Light Source
- 93% Rec709 Brilliant Colour
- 2D Keystone & Corner Fit
- White Balance Adjustment in Factory
- Optional Filter with Switch
- Over-the-Air Firmware Updates

Display	
Projection System	DLP Single 0.65"
DMD type	4K UHD
Native Resolution	3840 x 2160
Brightness	4000 ANSI Lumen
Contrast Ratio*	3,000,000:1
Display Color	30 Bits / 1.07 Billion Colours
Aspect Ratio	Native 16:9 (5 Aspect Ratio Selectable)
Light Source	Laser
Light Source life**	20,000 (Normal) / 30,000 (Eco) hours
Optical	
Throw Ratio	0.496
Zoom Ratio	Fixed
Keystone Correction	Vertical & Horizontal ±30 degrees
Projection Offset	114.0%
Projection Size	70" ~ 300"
Audio	
Built-In Speaker	15W x1
Special Feature	
Security	Security Bar, Kensington Lock
Features	24/7 operation, 2D Keystone, Corner Fit, LAN Control, FW upgrade via USB, FW upgrade via OTA, White Balance Adjustment in Factory, Optional Filter with Switch
Compatibility	
Resolution Support	VGA (640 x 480) to 4K UHD (3840 x 2160)
Horizontal Frequency	15K ~ 135KHz
Vertical Scan Rate	23 ~ 240 Hz
HDTV Compatibility	720p, 1080i, 1080p, 2160p
Video Compatibility	480i / 576i, 480P / 576P, 720@50P / 60P, 1080@50i / 60i / 24p / 25p / 30p / 50p / 60p, 2160@24p / 25p / 30p / 50p / 60p
Power	
Power Consumption	Max 250W / Normal 230W / Eco 130W
Standby Power Consumption	Normal < 0.5W
Power Supply	100 ~ 240V AC
Dimension and Weight	
Product Dimensions (W x H x D)	279.2 x 120.5 x 229.3 (mm)
Product Weight	3.4 Kg ± 100g
Operation Condition	
Noise Level (Normal / Eco)	30 / 24 dBA
Operating Temperature	0 ~ 40°C
Accessories	
Accessories (Standard)	Remote Control, AAA Battery x2, Power Cord (by Region), QSG, Warranty Card (by Region), Regulatory Statements, Power Adapter
Accessories (Optional)	Filters (Back and Right), Filter Case
OSD	
On Screen Display Language	Arabic / Croatian / Czech / Danish / Dutch / English / Finnish / French / German / Greek / Indian / Italian / Indonesian / Japanese / Korean / Norwegian / Polish / Portuguese / Russian / Simplified Chinese / Spanish / Swedish / Turkish / Thai / Traditional Chinese / Farsi / Vietnamese (27 Languages)
Other	
Part Number / EAN Code	9H.JT977.75E / 471 8755 09627 3

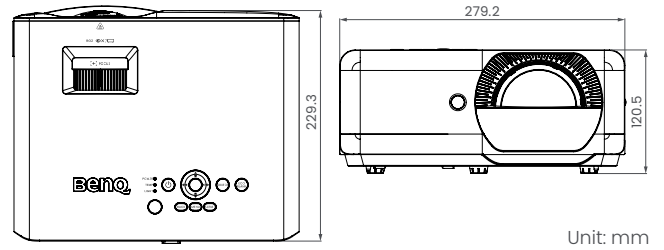
* The Contrast is measured by Full On/Full Off standard.

** Light Source Life results will vary depending on environmental conditions and usage. Actual product's features and specifications are subject to change without notice.

INPUT AND OUTPUT TERMINALS

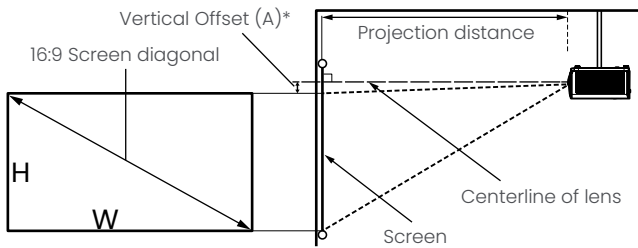


DIMENSIONS



Unit: mm

PROJECTION SCREEN SIZE

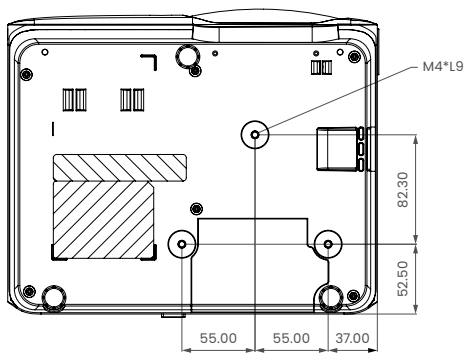


DISTANCE CHART

Diagonal		Screen size		Distance from screen (mm)	Vertical offset (mm)
Inch	mm	H (mm)	W (mm)		
70	1778	872	1550	769	122
80	2032	996	1771	878	139
90	2286	1121	1992	988	157
100	2540	1245	2214	1098	174
110	2794	1370	2435	1208	192
120	3048	1494	2657	1318	209
130	3302	1619	2878	1427	227
140	3556	1743	3099	1537	244
150	3810	1868	3321	1647	262
160	4064	1992	3542	1757	279
170	4318	2117	3763	1867	296
180	4572	2241	3985	1976	314
190	4826	2366	4206	2086	331
200	5080	2491	4428	2196	349
210	5334	2615	4649	2306	366
220	5588	2740	4870	2416	384
230	5842	2864	5092	2526	401
240	6096	2989	5313	2635	418
250	6340	3113	5535	2745	436
260	6604	3238	5756	2855	453
270	6858	3362	5977	2965	471
280	7112	3487	6199	3075	488
290	7366	3611	6420	3184	506
300	7620	3736	6641	3294	523

CEILING / WALL MOUNT INSTALLATION

Unit: mm



www.benq.eu/en-eu/business/projector.html

BenQ

© 2025 BenQ Corp. Specifications may vary by region, please visit your local stores for details. Actual product's features and specifications are subject to change without notice. This material may include corporate names and trademarks of third parties which are the properties of the third parties respectively.