

mediahub2 HDMI Slot Cover with Cable Retention Plate

M2-CVR100 – HDMI Interface Module Cover: Toolless Panel Mount Cable Assembly for Mediahub2 Systems

The M2-CVR100 HDMI interface module cover features a precision-moulded construction, designed specifically for integration with the mediahub2 desk connection system. The cover employs a spark-eroded finish in either matte black or white, providing a visually seamless installation without visible screws or fixings. Compatibility with the M2-PMxxxx range of PureLink panel mount connectors enables secure and rapid assembly of HDMI signal paths in meeting rooms, workspaces, control rooms, and hybrid AV environments. The included ICS (Integrated Cable Support) retention plate secures cable terminations, supporting fast, tool-free on-site installation and reliable long-term operation.

- **Precision-Made Cover Construction:** The module cover is manufactured to exacting tolerances, supporting consistent alignment and secure fitment with mediahub2 desk connection systems in professional AV installations.
- **Matte Spark-Eroded Surface Finish:** A spark-eroded process produces a silky matte surface in black or white, minimising glare and providing a refined appearance suitable for visible workspace or conference table integration.
- **ICS Cable Retention Plate:** The Integrated Cable Support (ICS) plate mechanically secures HDMI cable terminations, preventing accidental disconnection and supporting strain relief in high-traffic AV environments.
- **Panel Mount Connector Compatibility:** Designed to pair with M2-PMxxxx PureLink panel mount connectors, the cover enables rapid, tool-free assembly of HDMI signal paths for modular desk or wall installations.
- **Standardised Module Dimensions:** User-facing dimensions of 22.5mm x 45mm allow two covers to fit precisely within a standard 45x45mm module space, supporting flexible configuration in multi-interface AV panels.

Technical Solution for Secure, Aesthetic AV Panel Assembly

The M2-CVR100 addresses common AV installation challenges by enabling rapid, tool-free assembly of HDMI panel mount cables, while concealing fixings for a clean finish. The ICS retention plate and precise fitment support reliable signal integrity and mechanical stability in professional environments where both function and appearance are critical.

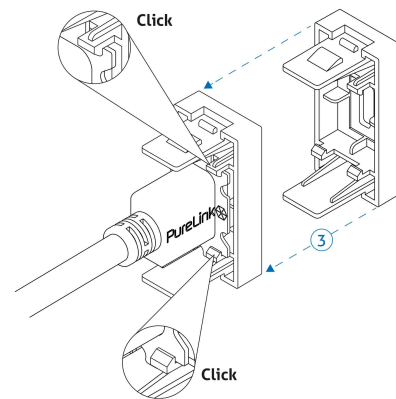
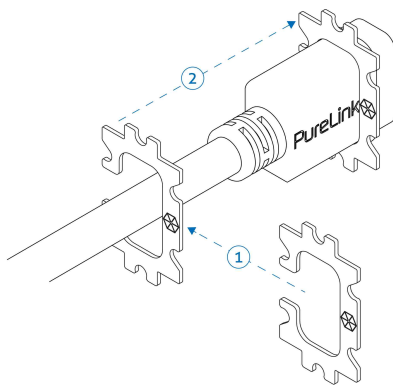


Features

- HDMI interface module cover. A high-quality precision-made accessory for the mediahub2 desk connection system
- Silky matte black or white spark-eroded finish
- ICS compatible. Designed to pair with the M2-PMxxxx range of PureLink panel mount connectors
- User side dimensions 22.5mm x 45mm. Two M2 covers fit the standard 45x45 module dimensions
- ICS cable retention plate included

Specifications

General Information	
Housing material	Acrylonitrile butadiene styrene (ABS)
Certification	CE, RoHS
Dimensions (WxDxH)	22.40 mm x 25.10 mm x 44.90 mm
Operating temperature (T-T)(°C)	from 0 °C to 40 °C
Gross weight	6 g



Overview

Parent	Item-No.	Housing colour
M2-CVR100	M2-CVR1000	Black
	M2-CVR1001	White

© 2025 PureLink. PureLink, the PureLink logo and other PureLink marks are owned by PureLink and may be registered. All other trademarks are the properties of their respective owners. PureLink assumes no responsibility for any errors that may appear in this publication. Product, pricing and feature information contained herein is subject to change without notice.



Contact us at
www.purelink.de

+49 5971 800 299-0
info@purelink.de



PureLink GmbH
Von-Liebig-Str. 10
48432 Rheine
Germany

PureLink UK LTD.
Carpenter Court, 1 Maple Road
Bramhall, Stockport - Cheshire SK7 2DH
United Kingdom

v10-2025