

User Manual

USB 2.0 Extender (50M)

Model PT - E-USB50

Designed in Germany

Version V1.0

Preface

Read this user manual carefully before using this product. Pictures shown in this manual are for reference only. Different model layouts and specifications are subject to the physical product.

This manual is for operation instructions only, not for any maintenance usage.

In the constant effort to improve our product, we reserve the right to make changes in functions or parameters without prior notice or obligation.

Trademarks

Product model and logo are trademarks. Any other trademarks mentioned in this manual are acknowledged as the properties of the trademark owner. No part of this publication may be copied or reproduced without the prior written consent.

FCC Statement

This equipment generates, uses and can radiate radio frequency energy and, if not installed and used in accordance with the instructions, may cause harmful interference to radio communications. It has been tested and found to comply with the limits for a Class B digital device, pursuant to part 15 of the FCC Rules. These limits are designed to provide reasonable protection against harmful interference in a commercial installation.

Operation of this equipment in a residential area is likely to cause interference, in which case the user at their own expense will be required to take whatever measures may be necessary to correct the interference.

Any changes or modifications not expressly approved by the manufacturer would void the user's authority to operate the equipment.

REACH | 1907/2006/EU

ROHS | 2011/65/EU

PureLink hereby declares that this product **PureTools PT-E-USB50** complies with Directives 1907/2006/EU und 2011/65/EU.

EMC / LVD (Electro Magnetic Compatibility / Low Voltage Directive)

PureLink GmbH hereby declares that this product **PureTools PT- E-USB50** complies with Directives 2014/30/EU and 2014/35/EU. The full text of the EU Declaration of Conformity is available at the following Internet address:

<http://www.purelink.de/ce/4251364737248.CE.pdf>



SAFETY PRECAUTIONS

To ensure the best from the product, please read all instructions carefully before using the device. Save this manual for further reference.

- Unpack the equipment carefully and save the original box and packing material for possible future shipment
 - Follow basic safety precautions to reduce the risk of fire, electrical shock and injury to persons.
 - Do not dismantle the housing or modify the module. It may result in electrical shock or burn.
 - Using supplies or parts not meeting the products' specifications may cause damage, deterioration or malfunction.
 - Refer all servicing to qualified service personnel.
 - To prevent fire or shock hazard, do not expose the unit to rain, moisture or install this product near water.
 - Do not put any heavy items on the extension cable in case of extrusion.
 - Do not remove the housing of the device as opening or removing housing may expose you to dangerous voltage or other hazards.
 - Install the device in a place with fine ventilation to avoid damage caused by overheating.
 - Keep the module away from liquids.
 - Spillage into the housing may result in fire, electrical shock, or equipment damage. If an object or liquid falls or spills on to the housing, unplug the module immediately.
 - Do not twist or pull by force ends of the optical cable. It can cause malfunction.
 - Do not use liquid or aerosol cleaner to clean this unit. Always unplug the power to the device before cleaning.
 - Unplug the power cord when left unused for a long period of time.
 - Information on disposal for scrapped devices: do not burn or mix with general household waste, please treat them as normal electrical wastes.
-

Content

1. Product Introduction.....	2
1.1 Introduction.....	2
1.2 Features.....	2
1.3 Package List.....	2
2. Panel Description.....	3
2.1 Transmitter panel.....	3
2.2 Receiver panel.....	4
3. Specification.....	5
4. System Diagram.....	6
5. After-Sales Service.....	8
Asking for Assistance.....	9

1. Product Introduction

1.1 Introduction

The USB 2.0 Extender can extend full 480Mbps bandwidth USB signals up to 50 meters via Cat 5e/6 cable (The transmission distance is limited to 40 meters for some USB 2.0 Hubs). The transmitter is connected to the USB-B port of a PC or laptop. The receiver connects to up to two USB devices such as, mouse, keyboard, touch screen or camera etc. In addition, the receiver provides unidirectional power to the whole system. The product can be widely used for long distance signal transmission between any PC and any remotely located USB2.0 devices. Simple plug and play operation, no driver or set up required.

1.2 Features

- Supports USB 2.0 protocol, transmission rate up to 480Mbps
- Supports extend distance up to 50 meters /164ft via CAT 5e/6 cable (Note: The transmission distance can only up to 40 meters / 131.2ft for some USB 2.0 Hub)
- Supports one USB-B port input in transmitter
- Supports two USB 2.0 ports output in receiver
- Receiver is powered by connecting 5V/1A power adapter
- Simple plug and play, no driver or additional setup required
- Compact design for easy and flexible installation

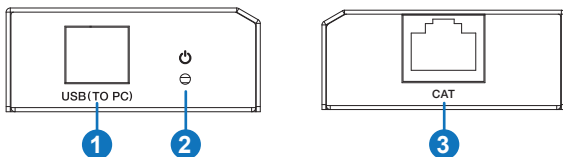
1.3 Package List

- 1 × USB 2.0 Extender (Transmitter)
- 1 × USB 2.0 Extender (Receiver)
- 1 × USB cable (USB-B male head to USB-A male head, one meter)
- 1 × 5V/1A Power Adapter
- 1 × User Manual

Note: Please contact your distributor immediately if any damage or defect in the components is found.

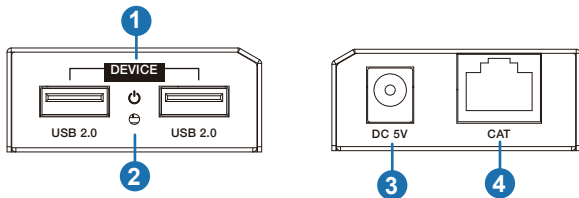
2. Panel Description

2.1 Transmitter Layout



No.	Name	Function Description
1	USB port	Use USB-B male head to USB-A male head line to connect a PC's USB port. Note: The PC can control USB ports' device of the receiver.
2	POWER LED	Power LED indicator. The green LED will illuminate when transmitter is provided power supply by USB-B port's device.
3	CAT port	The CAT port is connected receiver's CAT port by CAT 5e/6 cable.

2.1 Receiver Layout



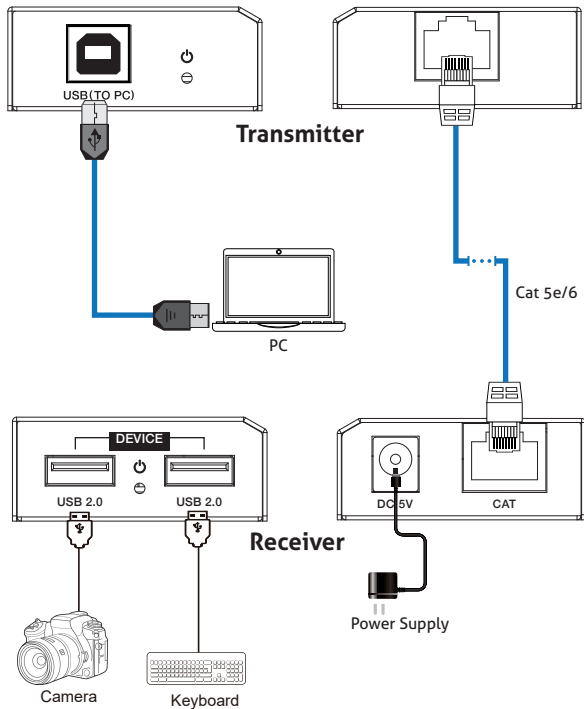
No.	Name	Function Description
1	USB 2.0 port	Connect to a device with USB port such as a camera or a HID device.
2	POWER LED	Power LED indicator. The green LED will illuminate when the receiver is connected power supply.
3	DC 5V	Plug 5V/1A DC power supply into the unit and connect the adapter to an AC outlet.
4	CAT port	The CAT port is connected transmitter's CAT port by CAT 5e/6 cable.

3. Specification

Technical	
USB protocol	USB 2.0
Transmission rate	Up to 480Mbps
Transmission Distance	50M (Note: The transmission distance can only up to 40 meters for some USB 2.0 Hub)
ESD Protection	Human-body Model: ±8kV (Air-gap discharge) , ±4kV (Contact discharge)
Connection	
Transmitter	Input port: 1×USB [USB-B, female] Output port: 1×CAT [RJ45, female]
Receiver	Input port: 1×CAT [RJ45, female] Output port: 2×USB [USB-A, female]
Mechanical	
Housing	Metal Enclosure
Color	Black
Dimensions	Transmitter / Receiver: 82mm (W)×49mm (D)×20mm (H)
Weight	Transmitter/Receiver: 100g
Power Supply	Input: AC100~240V 50/60Hz Output: DC 5V/1A
Power Consumption	Transmitter: 0.7W, Receiver: 1W
Operating Temperature	0 - 40°C
Storage Temperature	-20 - 60°C
Relative Humidity	20 - 90% RH (no condensation)

4. System Diagram

The following diagram illustrates a typical usage scenario for this extender:



Usage Precaution

- Make sure all components and accessories are included before installation.
- System should be installed in a clean environment with proper temperature and humidity.
- All of the power switches, plugs, sockets, and power cords should be insulated and safe.
- All devices should be connected before power on

5. After-Sales Service

If there appear some problems when running the product, please check and deal with the problems referring to this user manual. Any transport costs are borne by the users during the warranty.

- 1) Product Limited Warranty:** This workmanship for **three years** (The Proof of purchase in the form of a bill of sale or receipted invoice which is Proof of purchase in the form of a bill of sale or receipted invoice which is evidence that the unit is within the Warranty period must be presented to warranty service.
- 2) What the warranty does not cover (servicing available for a fee):**
 - Warranty expiration.
 - Factory applied serial number has been altered or removed from the product.
 - Damage, deterioration or malfunction caused by:
 - Normal wear and tear.
 - Use of supplies or parts not meeting our specifications
 - No certificate or invoice as the proof of warranty.
 - The product model showed on the warranty card does not match with the model of the product for repairing or had been altered.
 - Damage caused by force majeure.
 - Servicing not authorized
 - Any other causes which does not relate to a product defect
 - Delivery, installation or labor charges for installation or setup of the product
- 3) Technical Support:** For any questions or problems, contact your distributor or reseller and tell them the respective product name and version, the detailed failure situation as well as the formation of the cases.

Asking for Assistance

Technical Support:

Phone: +49 5971 800299

Fax: +49 5971 800299

Technical Support Hours:

8:30 AM to 5:00 PM Monday thru Thursday

8:30 AM to 4:00 PM Friday

Write to:

PureLink GmbH

Von-Liebig-Straße 10

D - 48432 Rheine

www.purelink.de

info@purelink.de